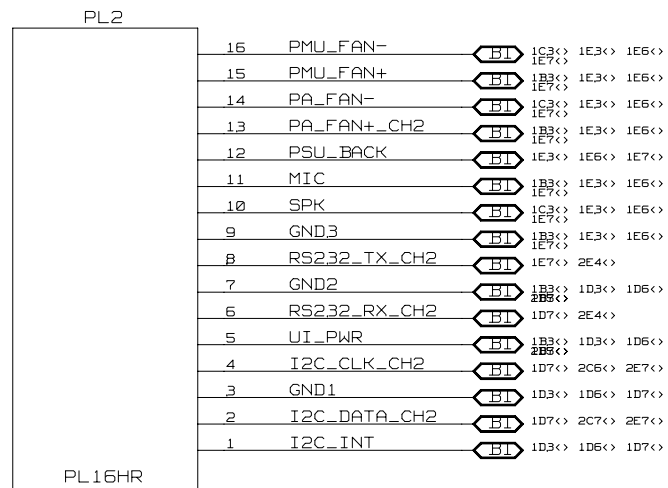
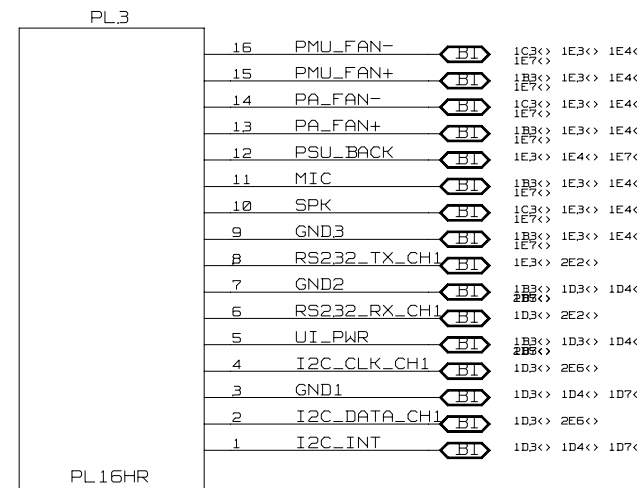


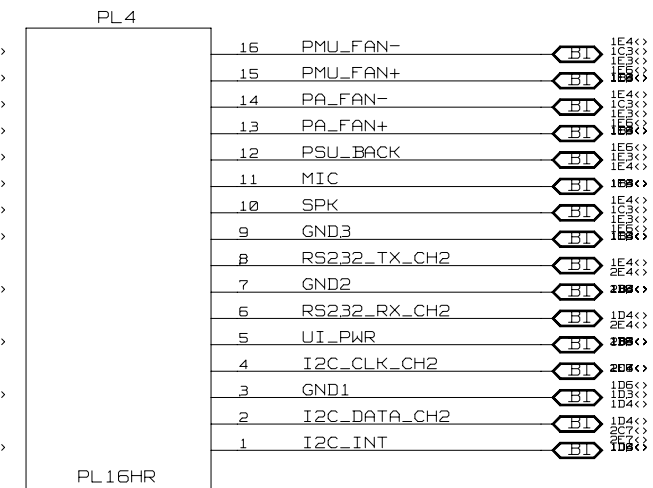
PA1 & PMU



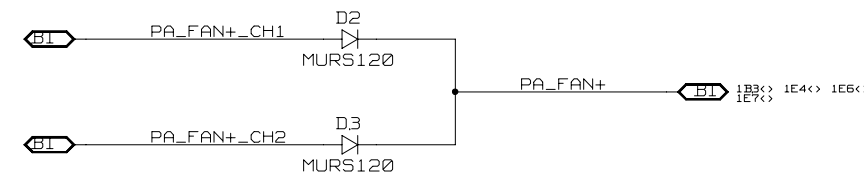
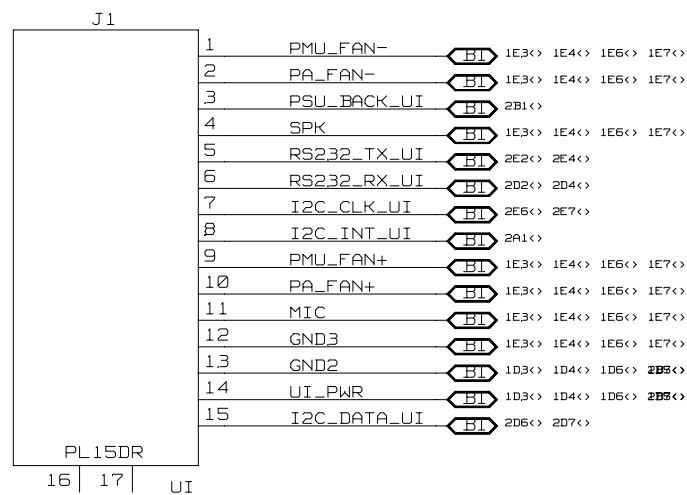
PA2



RECITER1

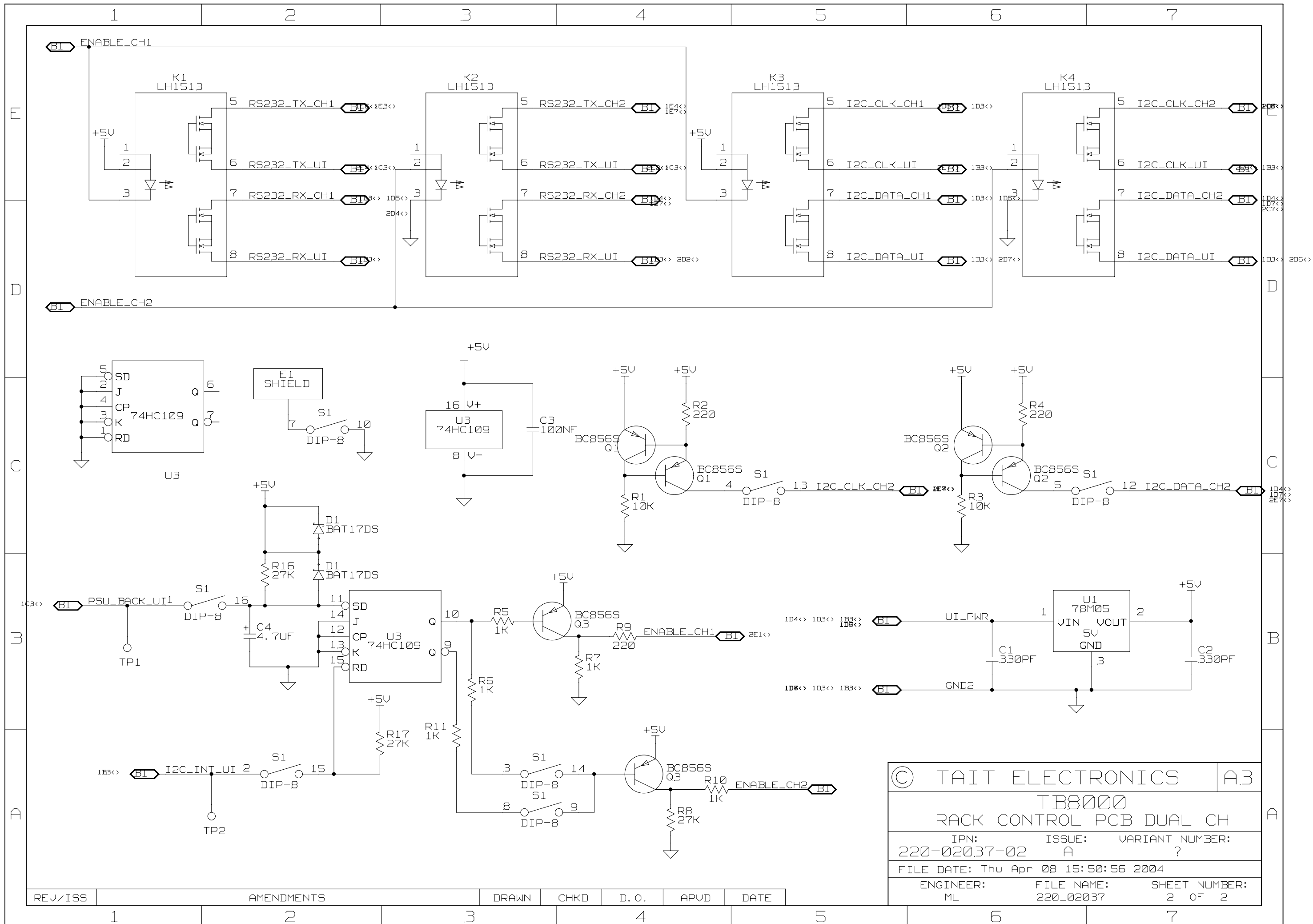


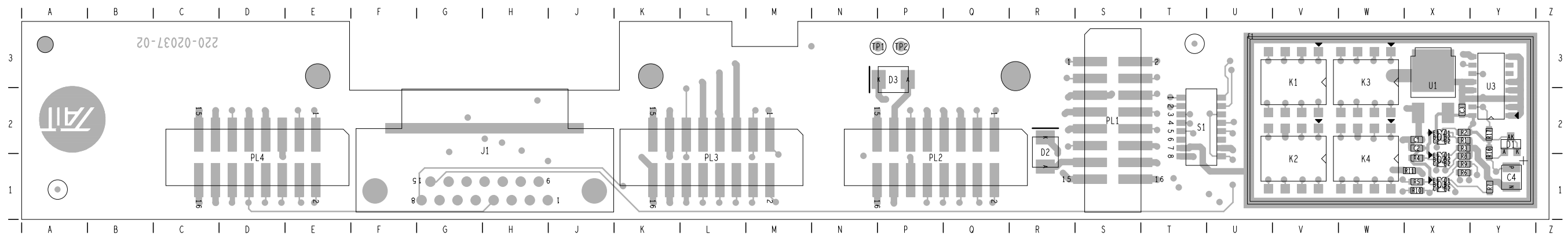
RECITER2



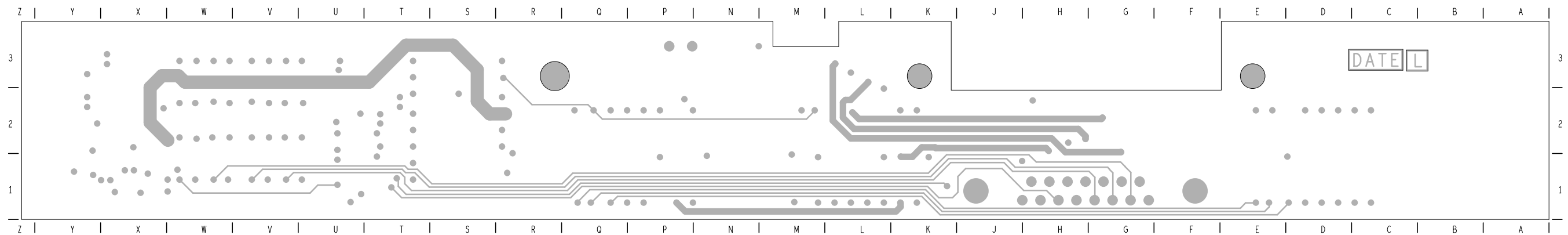
02A	DCO 02037-002	ML		CK	?	26-08-03
01	NEW BOARD					
REV/ISS	AMENDMENTS	DRAWN	CHKD	D. O.	APVD	DATE

© TAIT ELECTRONICS		A2
TB8000		
RACK CONTROL PCB DUAL CH		
IPN: 220-02037-02	ISSUE: A	VARIANT NUMBER: ?
FILE DATE: Thu Apr 08 15:48:06 2004		
ENGINEER: ML	FILE NAME: 220_02037	SHEET NUMBER: 1 OF 2





TAIT ELECTRONICS	IPN:	ISS:	DATE:	SCALE:
	220-02037-02	A	2Sep03	NTS
TB8000 Rack Interconnect 220 02037 02 LAYOUT-PRIMARY-SIDE				



TAIT ELECTRONICS	IPN: 220-02037-02	ISS: A	DATE: 2Sep03	SCALE: NTS
TB8000 Rack Interconnect 220 02037 02 LAYOUT-SECONDARY-SIDE				